

# SpeedFace-V5L-RFID [TD]

Linux-Based Access control and Time & Attendance Terminal with Visible Light Facial Recognition



Proactive New Height of SpeedyWide Pose Angle Touchless for Facial Recognition Anti-Spooning Recognition Acceptance Better Hygiene

Compatible with **ZK Bio Access**

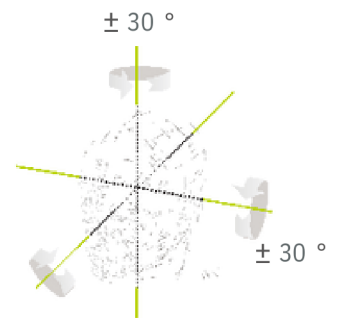


## Features

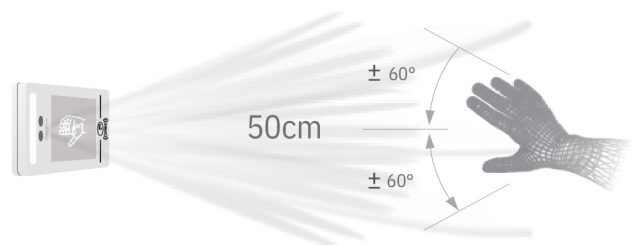
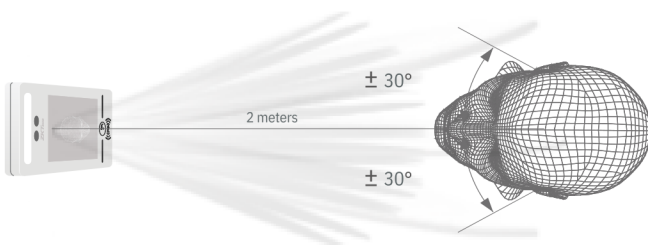
- Visible Light Facial Recognition
- Anting algorithm against print attack (laser, color and B/W photos), videos attack and 3D mask attack
- Multiple verification methods: Face / Card / Password / Palm
- Available card modules: 125kHz ID card (EM) / 13.56MHz IC card
- Supplement light with adjustable brightness
- 6,000 face templates capacity

### 2 meters of recognition distance and extra wide angle recognition

The recognition distance has been greatly extended to 2 meters, which significantly improves the maximum throughput. While most of the algorithms only support  $\pm 15^\circ$  of detectable face angle, SpeedFace-V5L-RFID doubles the detection angle in terms of head rotation and tilt to  $\pm 30^\circ$ .



Touchless palm authentication method with a novel hand tracking technique allowing angle tolerance as wide as  $\pm 60^\circ$  in the roll axis and a recognition distance of 50cm.

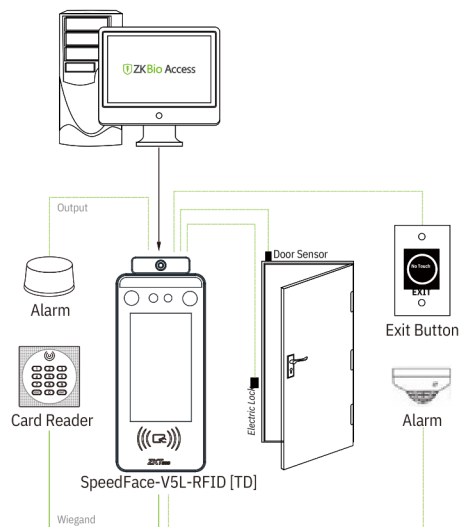




## Specifications:

Display	5-inch Touch
Face Capacity	Screen 6,000
Palm Capacity	3,000
Card Capacity	10,000
Transactions	200,00
Operation System	0 Linux
Standard Functions	ID Card, ADMS, T9 Input, DST, Camera, 9 digit user ID, Access Levels, Groups, Holidays, Anti-passback, Record Query, Tamper Switch Alarm, Multiple Verification Methods
Hardware	900MHZ Dual Core CPU Memory 512MB RAM / 8G ROM 2MP WDR Low Light Camera Adjustable Light Brightness LED
Communication	TCP/IP, WIFI(Optional), Wiegand input/output, RS485
Access Control Interface	3rd -party Electric Lock, Door Sensor, Exit Button, Alarm Output, Auxiliary Input
Optional Functions	13.56MHz IC Card / WiFi
Facial Recognition Speed	≤1s
Biometrics Algorithms	ZKFace VX5.8 / ZKPalm
Power Supply	VX12.0 12V 3A
Working Humidity	10% to 90%
Working Temperature	-10°C to 45°C
Dimensions (W*H*D)	92*220*22.5mm
Supported Software	ZKBioAccess

## Configuration



## Accessories



## Dimensions (mm)

